

Bojo Tools



Battery Maintenance Tools



Removing and installing automobile and RV batteries has always been a hazardous operation with terminals and grounded mountings/bodywork in close proximity.

The danger of shorting and sparks due to inadvertent contact has caused many serious injuries and vehicle fires. The amperage available in a standard auto battery is easily sufficient to melt standard metal wrenches.

Single Ended or Double Ended with Terminal Pry Tool Tip



3 Piece Kit
(10mm, 12mm, 13mm)
P/N ITH-BWK3-XNGL

P/N AT-10MM-55-XNGL

P/N AT-13MM-55-XNGL

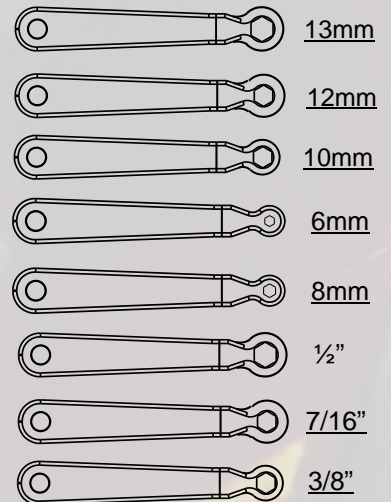
The new Bojo battery safety kit enables a faster and safer approach to working with vehicle batteries and the tools and inserts are more than capable of exerting sufficient torque to secure both terminals and clamp bolts when threads are in good condition.

Damaged bolts and fastenings should always be replaced upon re-installation. The 'feel' inherent in our composite tools gives a good guide that adequate torque has been applied, greatly reducing the danger of broken lugs and terminals.

NOT WARRANTED FOR HIGH VOLTAGE USE
Keeping fingers and metal tools away from component edges reduces risk of operator injury and electrical shorting.

Loosen battery terminal, then pry off with opposite side.

Composite Wrench Tools

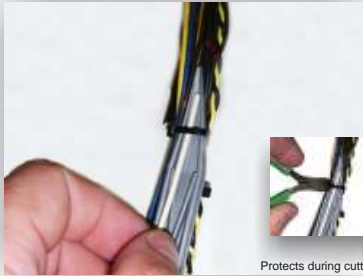


Essential workshop kit for the service, repair and assembly of electrical/electronic assemblies.

Bojo Tools



Avionics & Electronic Installation Tools



Wire Guide Tool
(ATH-30-UNGL)



Wire Stuffing Tool
(ATH-35-UNGL)

Includes the unique Bojo Wire Guide tool (ATH-30-UNGL) designed to assist re-wiring into existing harnesses and safe cutting of cable ties.

Reduce the risk of marring and damage to plastic, composite or decorative trim panels.

Enable safer prying and opening of control panels, inspection covers and plastic case assemblies.



Wire Pulling Tool
(ATH-36-UNGL)



Panel Opener Tool
(ATH-26-UNGL)

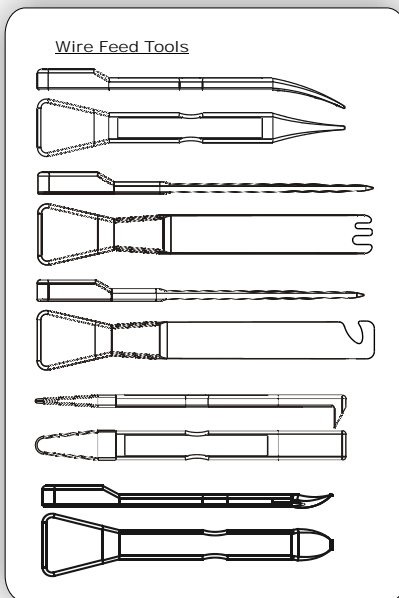


Kit Includes:

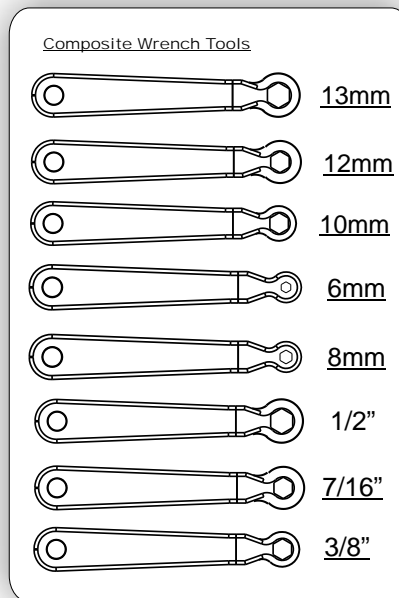
- ATH-30-UNGL
- ATH-35-UNGL
- ATH-36-UNGL
- AT-1-4-UNGL
- ATH-26-UNGL
- TR-5-R



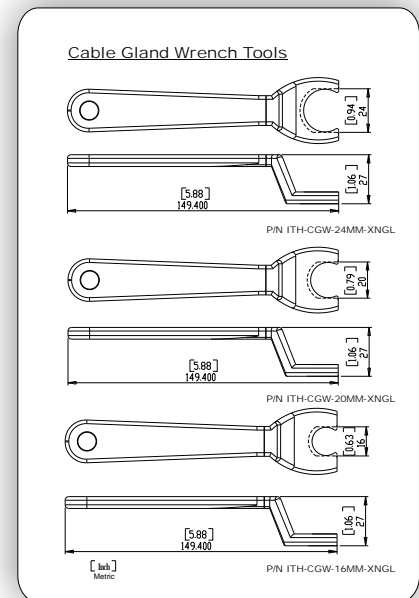
Electrical Tools and Roll Option
(P/N ATH-IW2-UNGL)



Wire Feed Tools



Composite Wrench Tools



Cable Gland Wrench Tools

NOT WARRANTED FOR HIGH VOLTAGE USE
Keeping fingers and metal tools away from component edges reduces risk of operator injury and electrical shorting.

Also assists component placement during soldering operations (not designed to withstand direct contact with soldering tools)

Essential workshop kit for the service, repair and assembly of electrical/electronic assemblies.