

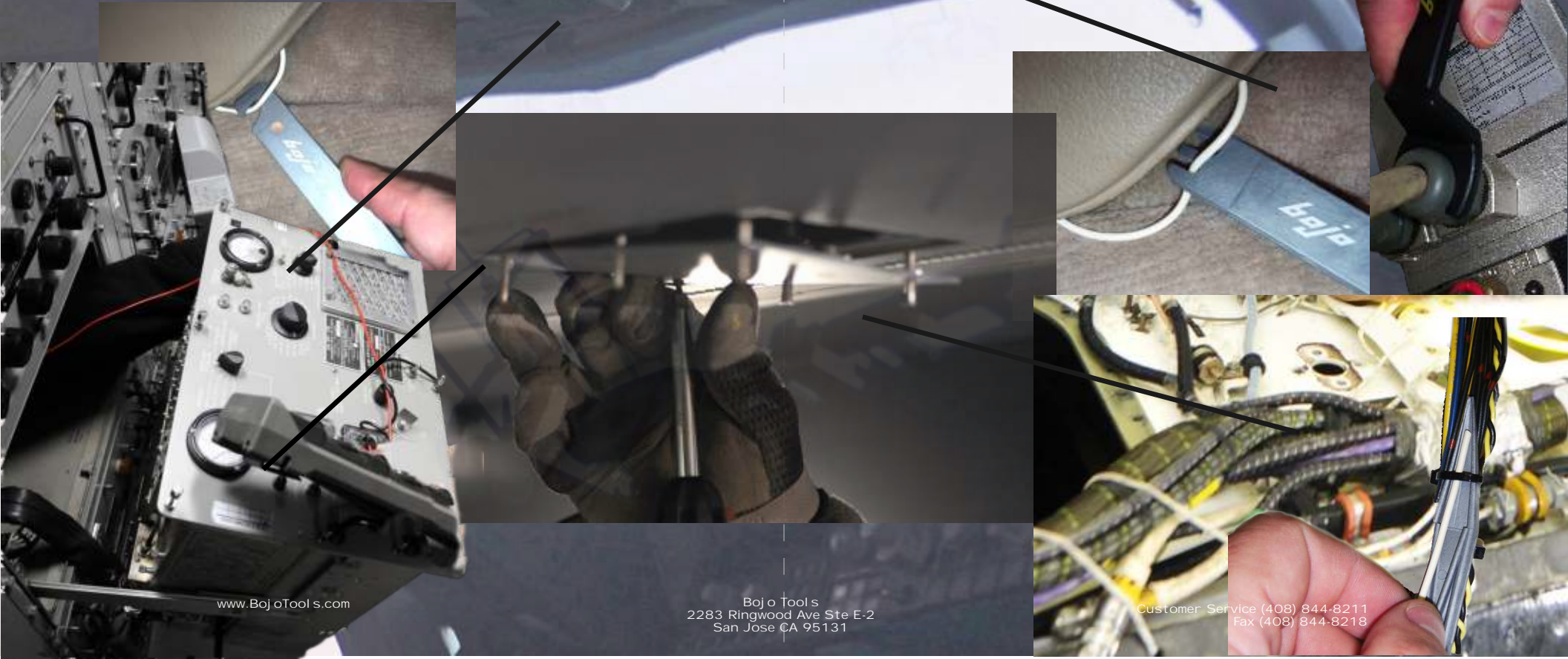
Bojo Tools



Avionics & Electronic Installation Tools



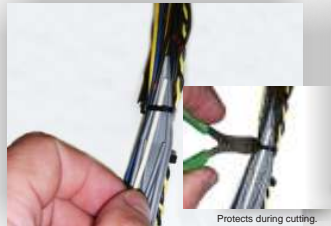
Widely used in high-end automotive and electronics production, Bojo Tools have found many applications in cockpit avionics installation, cabling assembly, overhaul and engine system maintenance. preventing damage to cables and controls, the non-conducting tools assist in manipulation and precise placement of components.





Bojo Tools

Avionics & Electronic Installation Tools



Wire Guide Tool
(ATH-30-UNGL)



Wire Stuffing Tool
(ATH-35-UNGL)



Panel Opener Tool
(ATH-26-UNGL)

Reduce the risk of marring and damage to plastic, composite or decorative trim panels.

Enable safer prying and opening of control panels, inspection covers and plastic case assemblies.



Wire Pulling Tool
(ATH-36-UNGL)

Includes the unique Bojo Wire Guide tool (ATH-30-UNGL) designed to assist re-wiring into existing harnesses and safe cutting of cable ties.

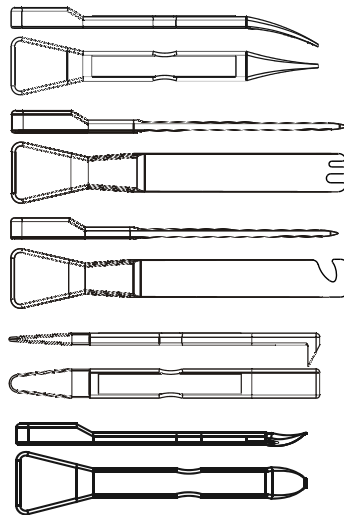


Kit Includes:

- ATH-30-UNGL
- ATH-35-UNGL
- ATH-36-UNGL
- AT-1-4-UNGL
- ATH-26-UNGL
- TR-5-R

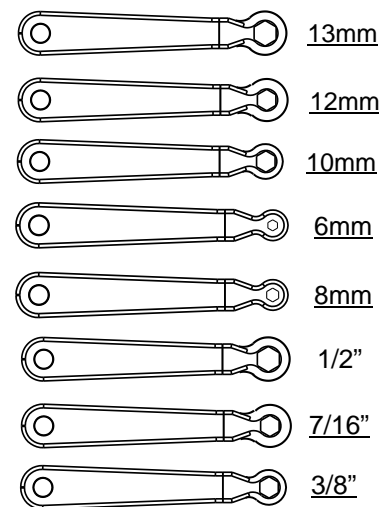
Electrical Tools and Roll Option
(P/N ATH-IW2-UNGL)

Wire Feed Tools



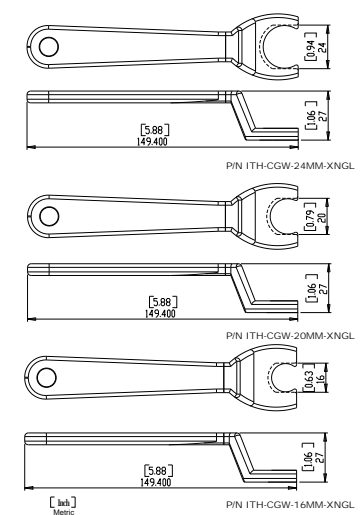
NOT WARRANTED FOR HIGH VOLTAGE USE
Keeping fingers and metal tools away from component edges reduces risk of operator injury and electrical shorting.

Composite Wrench Tools



Also assists component placement during soldering operations (not designed to withstand direct contact with soldering tools)

Cable Gland Wrench Tools



Essential workshop kit for the service, repair and assembly of electrical/electronic assemblies.